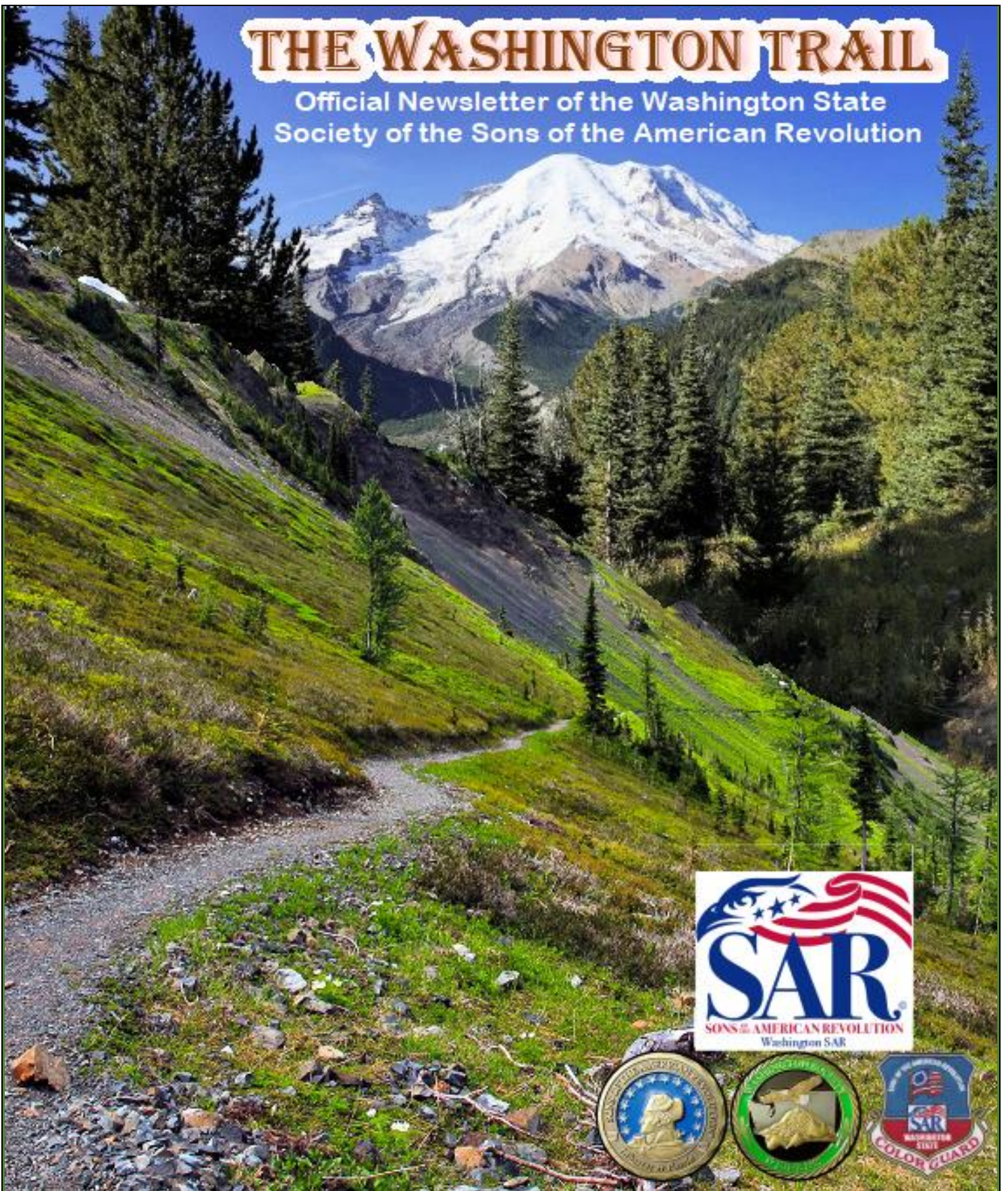


THE WASHINGTON TRAIL

Official Newsletter of the Washington State
Society of the Sons of the American Revolution



SPRING 2024



2024 – Spring Edition (2nd Qtr.: Apr/May/Jun)

Contents

[President's Message](#)

[From National/State/Chapter](#)

[Patriot Week/St Meeting](#)

[Secretaries Corner](#)

[WA SAR Ladies Auxiliary](#)

[Document LINKs](#) (Meeting Minutes, etc.)

[Media Links](#) (SAR, DAR, State, Chapter, etc.)

[Birthday Wishes](#)

[Military Humor](#)

[Publication Schedule](#)



Upcoming Meetings and Events

- 10-16 Jul: National Congress, Lancaster, PA
- 3 Aug: WA State BOD Meeting, 11:00am, Buzz Inn Steakhouse, Ellensburg, (Map [LINK](#))
- 3 Oct: Fall leadership, Galt House, Louisville KY
- 26 Oct: WA State BOD Meeting, 1:00pm (Zoom)
- Color Guard Events: See schedule link below



[WA State Web Site](#)



Color Guard [Schedule](#)

- WA State Color Guard News "[The Drumbeat](#)"

Note:

- Some **LINKs** are only available till the end of Apr 2024.
- Some **LINKs** in this electronic document may not work on an Apple device. I have tried to fix all but may have missed some. Please let me know if you find one [The Editor](#)

Published Quarterly, for the pleasure of members of the Washington State Society of the Sons of the American Revolution. Submissions for publication: **text** should be in a **word processor** format; **photos** should be in **JPG or PNG** format.

Please submit via E-Mail to: [The Editor](#), or they may be mailed to: Dick Motz, 818 SW 295th St, Federal way WA 98023-8212

Washington State SAR - Message From the President

Dear Compatriots and Friends,

In January of 2023, Julian Stredie published an article in [Medium](#) in which he identified four positive and four negative effects of patriotism. Positive effects included national unity and belonging among citizens, national pride and a sense of accomplishment, motivation to defend the country, and the stimulation of economic growth by promoting national products and industries. Negative effects included the growth of xenophobia (the fear and hatred of foreigners), nationalism leading to aggression, the increase of divisiveness, and blind loyalty, even in the face of unethical or illegal conduct. The article concluded that our sense of pride and loyalty must be balanced with a respect for others and a commitment to ethical and legal behavior.



Patriotism is a *feeling* of love, devotion and loyalty towards one's country. It should come as no surprise that patriotism is not the glue that binds us together. Our commitments are made of sterner stuff.

In joining the Sons of the American Revolution, we each took an oath affirming the faith of our patriot ancestors in the principles of liberty and our constitutional republic, and swearing or affirming that we would support the SAR, and support, protect and defend the Constitution of the United States. In part, the oath was very similar to one I took on July 1, 1970 as I entered the military academy at West Point, and another substantially identical oath that I took as a new Army officer on June 5, 1974. I suspect my experience is one that many of you shared in years past.

At various times in our lives, we take oaths that commit us to behave according to a set of standards shared by others taking the oaths. Those oaths are generally, and appropriately, silent as to *feelings*. In the military, the oath was backed by an implied commitment to give our lives, if necessary, in the service of our country. The fact that so many have been called on through the years to honor that commitment suggests that the oath taken in the military is a real debt that for many comes due. More importantly, it is a covenant among brothers in arms for which the consideration is the blood shed by past and present brothers in arms. Blood is thicker than feelings.

What is the consideration that binds us, as members of SAR, to oaths taken? Are they empty commitments to remember and honor patriot ancestors, or is more required of us? If so, what exactly is included in the word, "more"? If the oath is little more than lip service to an empty standard for which we receive a beautiful certificate, it is ceremonial nonsense. The fact that so many come and go after receiving that certificate suggests a lack of appreciation for the gravity of the oath taken. But if the oath is a covenant for which the consideration is the blood shed by our Patriot Ancestors, and by all our Veterans past, then it bears serious thought and consideration each time we utter those words.

This month I urge each of you to reflect on that oath, and to carefully weigh your words:

"We descendants of the heroes of the American Revolution who, by their sacrifices, established the United States of America, reaffirm our faith in the principles of liberty and our Constitutional Republic and solemnly pledge ourselves to defend them against every foe."

Respectfully submitted, Gregory D. Lucas, President, Washington State Society of the Sons of the American Revolution

From National 

134th Annual Congress – 2024

Lancaster, Pennsylvania July 10–July 16, 2024

Gentlemen, Congress Registration is now open. To register, you will first need to log in to the [National SAR home page](#) to begin the process. On the home page, look at the white bar at top of page and click/tap on the "Events" tab. A drop-down list will appear. Click on "**2024- Lancaster PA**" and it will take you to the [134th Congress Webpage](#). On this page you will find a *Hotel Registration Link* and the *Congress Registration Link*.



To register find "**134th Congress Registration is now open. Click Here**" and click/tap where indicated.

Once you get to the registration page, click on Register and begin to fill it out. Please remember to fill out the State Society and your national number so we have the information. Also, we need the information on emergency contact for each person. Lastly, please make sure you fill out the boxes for any *mobility or dietary issues* for yourself and any guests.

Any questions can be directed to Kelly Moore 502-588-6123 or kmoore@sar.org or you can contact the Congress Planning Chair, Paul Callanan, 704-756 -0363 or lrcmrsc@aol.com. Thanks, and looking forward to seeing many of you at Congress.

Paul Callanan, NSSAR Congress Planning Chair.

The [Congress Master Schedule](#) is available online. It is a dynamic document, and some changes may occur between now and Congress

Boston Tea Party edition of the Henry Rifle

Gentlemen, just to let you know the Boston Tea Party edition of the Henry Rifle is available for ordering on the Bass Pro website (link below). This will be available through about October, then will sunset and will no longer be produced. I will let folks know when the 1st Continental Congress edition is available. I look forward to seeing you in Lancaster!

[Henry Golden Boy SAR 250th Anniversary Boston Tea Party Edition Lever-Action Rifle | Bass Pro Shops](#)

John L. Dodd, Esq., President General 2023-2024, National Society of the Sons of the American Revolution

From State

NSSAR Youth Video Contest National Program Approved!!

7 May 2024: The Executive Committee considered and approved a formal proposal to create the **NSSAR Youth Video Contest** as a full National level program. In addition, the Youth Video Contest Committee was established to administer the program. Upon achieving their goal, the Task Force was dissolved and this Chairman would like to thank each of the members (as well as non-members) for their hard work and support in making this new youth contest a reality. At this time, the Youth Video Contest Committee encourages each of the State Societies to establish and administer a Youth Video Contest. A tool kit is being prepared with documents and materials necessary to build a program. Help is available.

During a recent Zoom meeting, the contest rules were reviewed, amended, and updated. Some essential changes include:

- Contestants have been expanded to include all **Middle School and High School students** (6th thru 12th grade).
- Entries may be submitted by a **single contestant** or by a **group**.
- Video length: **3 to 5 minutes**
- Language regarding original content, copyright infringement, plagiarism, and Artificial Intelligence has been expanded.
- Prizes for the 2024-2025 school year:
 - **First Place: \$1500**
 - **Second Place: \$500**
 - The First-Place winner will receive a stipend of up to \$1500 to reimburse travel to the NSSAR National Congress
 - Cash awards greater than \$600 may be received as a scholarship with the completion of appropriate tax documents.
- The deadline for submission at the National level is **15 February**.

Lapel pins are available at the bronze level for \$100 and the silver level for \$250. Donations should be sent directly to Headquarters and designated to benefit the Youth Video Contest.

Respectfully submitted, Keith A Weissinger, MD, Chairman, Youth Video Contest Committee



Thank you letter to from Dorothy Ross (CAR)

Hello! This is Dorothy Ross 2023-2024 C.A.R. Washington State President. I wanted to thank everyone who supported my service projects of Wreaths Across America and Puget Sound Honor Flight. We placed over 100 wreaths last December across the state and raised \$2,000 to send one veteran to Washington DC. Wow! Thank you again for helping me make my goals. I wanted to congratulate Julien Bancroft-Connor on his election of the 2024-2025 Washington State President. I hope we can support him and his state project, Rake Force, a Veteran owned Regenerative Agroforestry/Conservation startup in Southwest Washington who employs veterans and goats! Because who doesn't love goats. I wish D.A.R. and S.A.R will have an even better year with lots of love and happiness. Have a good term. **Dorothy Ross, President of CAR**



CAR Recruiting Tools

The CAR has provided some recruiting tools that members can use to refer individuals interested in the CAR

CAR YES! This sounds amazing! I know someone who may be interested in joining W.S.C.A.R.

Please PRINT neatly:

MY NAME: _____ MY PHONE: (____) _____

MY EMAIL ADDRESS: _____

MY Affiliation? (Circle) DAR SAR S.R. NONE & # _____

Use the Back of the Form to List Child(ren) Names, Age(s), City/State(s) in which they live & their relationship to you (child, grandchild, niece/nephew, friend, etc.)

Note: Females may belong to both DAR and C.A.R. while ages 18 – 21. (Yes, there is a special DAR pin for having held membership simultaneously in both societies.) Males may belong to both SAR and C.A.R. at any age. Members of C.A.R. may belong to a Society / State different than where they live. (They also may belong, fully, to two Societies.)

(For more information, contact Michael Moore, Senior State Registrar at m.m.c.a.r.registrar@gmail.com)

Links to documents...

DAR Daughters of the American Revolution

CAR Children of the American Revolution

Partnership for the Future

George Washington Memorial Celebration, President Day Seattle
www.WaStateCAR.org

CAR Interest Form

CAR Pamphlet

Washington SAR Awards the JROTC Outstanding Cadet Medal

In a ceremony on May 16th at Stadium High School in Tacoma, WA, the Washington state SAR awarded the Outstanding Cadet Silver Medal to Cadet LT Mason Kermode of Tiger Company. She placed first in the statewide JROTC Enhanced Essay Competition, and even as a Junior, is an outstanding leader in her unit. Presenting the Award was CAPT Conrad Plyler, USN (Ret.), director of JROTC programs for the WASSAR. At that same ceremony, Cadet Kermode was awarded the SAR Bronze Outstanding Cadet Medal in token of her winning the Alexander Hamilton Chapter competition by President John Herr. Cash awards totaling over \$1000 were also given. Cadet Kermode’s superior performance and dedication reflect great credit to herself and to her unit.”



Photo Credit: Capt Mike Parker, USN (Ret.): Stadium High School JROTC Staff Photographer.

Highlights From the Chapters

Seattle Chapter

T-Shirt Project

As part of our America’s 250 celebration activities, the Seattle Chapter SAR tapped the artistic talents of chapter compatriot David Horsley to design a series of 5 unique America’s 250 t-shirts. Under the direction of our WASSAR Color Guard commander Neil Vernon and Seattle chapter president Tim Zenk, these unique t-shirts provide insight into the American Revolution while growing the recognition of the SAR among the public. Our goal is to raise awareness about the history of the role our patriot ancestors played in the Revolutionary War to gain independence from British rule as America enters into our 250-year anniversary. Funds from the t-shirt sales are dedicated to strengthen the education activities of our chapter and the SAR. These high-quality shirts come in short, long sleeve, or hoodie style and make great gifts! You can purchase your unique America’s 250 t-shirts using the link at the top of our SeattleSAR.org website. Order from this [LINK](#).



Mid-Columbia Chapter

Memorial Day

Compatriot Larry Flint helped to place about 800 flags at the Riverview Heights Cemetery in Kennewick just prior to Memorial Day. The crew reassembled two days later for their removal. President Roddy placed a wreath at the Veteran’s Memorial at Desert Lawn Memorial Park in Kennewick on Memorial Day.



Spokane #1 Chapter

Rumbaugh Winner

The Washington State 2024 Rumbaugh Oration champion Kai LeBret has been selected as one of the 6 state finalists to compete at the national congress in Lancaster, PA on July 12th! This is the first time in many years our state society has had their candidate advance to the national finals, and we are very proud of Kai for his excellent oration. This is indeed an honor for Spokane #1 and our State Society.



LINKS To Other Newsletters & Documents Of Interest

[Minutes From The State Annual Meeting](#) (27 Apr 2024)

Submitted by: Russ Oliver, State Secretary, WSSAR (Available till the end of Jun 2024)

[Minutes From The State BOD Meeting](#) (6 Apr & 17 Jun 2024)

Submitted by: Russ Oliver, State Secretary, WSSAR (Available till the end of Jun 2024)

The 2nd Quarter 2024 Issues Of The CAR Newsletters ([Apr](#) [May](#) [Jun](#))

Submitted by: Jeannette Carroll (Available till the end of Jun 2024)

[The WA State SAR Administrative Procedures](#) (updated Apr 2023)

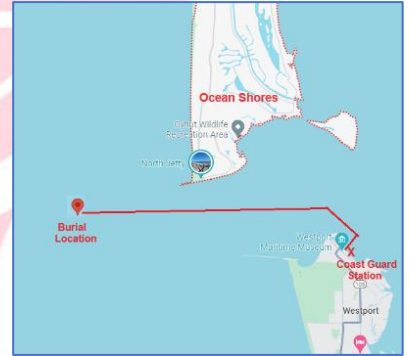
[SAR Magazine Archives](#) (requires login)

[The Colorguardsman Magazine](#) (Apr Issue)

Patriot Week at Ocean Shores (highlights)

Photos courtesy of Cindy Lucas, Dick Motz, Deven Adams (Coast Guard)

22 Apr: Ceremony to Honor Patriots Buried at Sea. This is the nation’s first ever ceremony honoring Patriots Buried at Sea. Veterans From every generation, starting with our country’s first Veterans, were honored in a special dedication, during which a **“bronze plaque”** was **“buried”** at sea, closing with an **“8 Bells Ceremony”** and the playing of **“Taps”**, and the casting of a ceremonial wreath into the sea. The group departed early in the morning From the Coast Guard Station in Westport to a point just off Ocean Shores. The flag used had all the names of those killed during 9-11. (below) (Video [LINK](#) of plaque burial).



The Coast Guard Vessel

Participants were: Ocean Shores Mayor Frank Elduen, Ocean Shores City Administrator Scott Andersen, Hoquiam Mayor (pro tem), Richard Brooks, Pastor Michael Duncan, Gregory & Cindy Lucas, Perry & Susan Taylor, Lee & Joyce Thomasson, Neil Vernon, Dick Motz, and LTC Jimmy Cummins (Bugler)



23 Apr Flag Presentation: a 50-foot flag was presented to the Lighthouse Suites Inn.



Assembly prior to presentation



SAR Participants were: Greg Lucas, Neil Vernon, Dick Motz, Perry Taylor, Ken Roberts,

The flag is presented

23 Apr: Lecture: The Bill of Obligations, Ocean Shores Cinema, Presented by John Hughes, Washington State Historian.



Taps is played



23 Apr: Patriot Chest Presentations:

- North Beach Middle School (SAR CG Neil Vernon/Dick Motz)
- Hoquiam-Timberland Library (SAR CG Neil Vernon/Dick Motz)



24 Apr: Patriot Chest Presentations:

- Ocean Shores Elementary (SAR CG Neil Vernon/Dick Motz)
- Ocean Shores Library (SAR CG Fred Gilbert)



24 Apr: Joint City of Ocean Shores/SAR Clam and Bench dedication, Veterans Park, Ocean Shores. The Mayor of Ocean Shores presided over the dedication of a new park in Ocean Shores, featuring the City's unveiling of its historic giant clam sculpture, and an SAR bench dedicated to the men and women From Ocean Shores who served in the Armed Forces of the United States



The Bench



Neil Vernon, Dick Motz, & Perry Taylor prepares the Flag

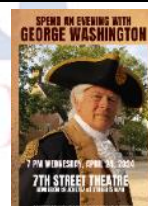


The bench dedication by Greg Lucas

24 Apr: Lecture on "The Case Against the Need for a Revolution, or What's So Bad about Being a Canadian?" Presented by Professor Diane Muir, Grays Harbor College



24 Apr: "An Evening with George Washington", 7th Street Theatre in Hoquiam



AN REVOLUTIO

AN REVOLUTIO

AN REVOLUTIO

AN REVOLUTIO

AN REVOLUTIO

AN REVOLUTIO

AN REVOLUTIO

25 Apr: Liberty Tree Dedication: A Liberty Tree was planted at the City Parcel at the corner of K St.& Emerson Ave., Hoquiam. The tree planting dedicated by the SAR with a plaque. The ceremony took place in the Hoquiam court house due to inclement weather. Some of the attendees were: Gregory Lucas, Cindy Lucas, Neil Vernon, Dick Motz, Jan Lemmer, Perry Taylor, Susan Taylor, Bill Long (Pastor Ocean Shores Baptist Church), Ben Winkelman (Mayor), Brian Shay (City Administrator), Angie Bieker (Community Development Technician), Anna Brennehan (City Arborist, Public Works).



Greg Lucas presents certificates of appreciation to the Mayor & City Admin



The Color Guard



Greg Lucas symbolically feeds the tree

25 Apr: "An Afternoon with George Washington", Ocean Shores Library. "George was invited to Ocean Shores a couple weeks ago, to speak to a wonderful local audience. The cookies were delicious, and the questions were insightful".



26 Apr: Ladies Luncheon, Participation limited to SAR Ladies Auxiliary, DAR and Volunteers



27 Apr Vietnam Veterans Recognition: Vietnam Veterans from Harbor County were recognized in a ceremony at the Ocean Shores Convention Center. The event took place during the SAR State Conference and was open to the public. The Quilts of honor group also presented quilts to 4 veterans that were present for the ceremony



Greg Lucas congratulates one of the recipients.



Treasurer General Michael Elston presents a lapel pin to one of the Veterans.

WE ARE THE CHOSEN (by Della M. Cumming ca 1943)

Provided by Mick Hersey (JPJ Chapter)

"In each family we are called to find the ancestors. To put flesh on their bones and make them live again, to tell the family story and to feel that somehow, they know and approve. Doing genealogy is not a cold gathering of facts but, instead, breathing life into all who have gone before. We are the story tellers of the tribe. We have been called as it were by our genes. Those who have gone before cry out to us: Tell our story. So, we do. In finding them, we somehow find ourselves. How many graves have I stood before now and cried? I have lost count. How many times have I told the ancestors you have a wonderful family; you would be proud of us? How many times have I walked up to a grave and felt somehow there was love there for me? I cannot say. It goes beyond just documenting facts. It goes to who I am and why I do the things I do? It goes to seeing a cemetery about to be lost forever to weeds and indifference and saying 'I can't let this happen'. The bones here are bones of my bone and flesh of my flesh. It goes to doing something about it. It goes to pride in what our ancestors were able to accomplish, how they contributed to what we are today. It goes to respecting their hardships and losses, never giving in or giving up. It goes to their resoluteness to go on and build a life for their family. It goes to deep pride that they fought to make and keep us a Nation. It goes to a deep and immense understanding that they were doing it for us, that we might be born who we are. That we might remember them, so we do. With love and caring and scribing each fact of their existence, because we are them and they are us. So, as a scribe called, I tell the story of my family. It is up to that one called in the next generation, to answer the call and take their place in the long line of family storytellers. That is why I do my family genealogy and cleaning of cemeteries, and that is what calls those young and old to step up and put flesh on the bone".



SAR
SONS OF THE AMERICAN REVOLUTION

2024 State Conference (highlights)

Photos courtesy of Stan Granberg, Cindy Lucas, Dick Motz



We had a celebrity join us at the conference! It was the current Miss Washington, Sgt. Vanessa Munson, human resources specialist with the 508th Military Police Battalion at Joint Base Lewis-McChord. Vanessa is From Battle Ground in Clark County.

From L-R. Stan Wills, Will Palmer, Vanessa Munson, Doug Jonas, Dick Moody and Eric Olsen.

[LINK](#) to Miss Washington (YouTube)



Thursday 25 Apr

Pre-Conference Gathering at the Galway Bay (Irish Pub)



Friday 26 Apr

Board of Directors Meeting

The WASSAR Board of Directors held its quarterly meeting with WASSAR; President Gregory Lucas presiding.



Ladies Auxiliary Meeting

This complimentary luncheon was open to the Ladies Auxiliary, all other Lady guests of WASSAR compatriots, DAR ladies and Patriot Week 2024 volunteers.

The purpose was to express appreciation for their many contributions by the people of Grays Harbor County

Color Guard Meeting

Members of the WASSAR Color Guard, led by Commander Neil Vernon, met to discuss business. Training on the use of the Color Guard web site and the CG schedule was provided by Deputy Commander Dick Motz.



Workshop: Revolutionary War Uniforms with Fred Gilbert

Compatriot Fred Gilbert discussed the evolution of Revolutionary War uniforms as well as options for buying a personal Rev War uniform



Chapter Officer Training

- **Presidents & VPs:** Mike Hutchins & Dick Paul co-facilitated a discussion by chapter presidents or their designees on collaborative activities with local DAR chapters. DAR members are welcome to participate
- **Secretaries & Treasurers:** State Secretary Russ Oliver and State Treasurer Rob Sexton updated chapter secretaries and treasurers on processes and procedures related to their offices, and answer questions.
- **Genealogists:** John Kraft discussed various aspects of the SAR "Genealogy Committee Policies" and the "Application Preparation Guide" along with proper documentation preparation techniques for current and future chapter registrars/genealogists and all other interested members.

Workshop: JPJ Patriot Chest Presentations with Fred Gilbert

Compatriot Fred Gilbert discussed the reason the John Paul Jones (JPJ) Chapter Patriot Chest presentation is in such high demand, including how JPJ got into the local school system and what makes the presentation a valuable tool for teachers

Chapter Display Tables

Local chapters displayed material that shows specific chapter projects and initiatives.



Youth and Teacher Recognition Dinner

The State-level winners of our various youth contests were collectively recognized. Their winning essays, their oration, and winning video were seen. The State-level winners of Teacher of the Year was also recognized. The event was organized by Council for Youth & Teacher Recognition Chair Perry Taylor



Saturday 28 Apr

Members Meeting

Following opening pageantry by the WASSAR Color Guard, the we chapter business was conducted by WASSAR President Gregory Lucas presiding



SAR Awards Luncheon and Ceremony

Following a buffet luncheon, Greg Lucas (WASSAR President), Jim Lindley (awards committee chair), and Neil Vernon (Color Guard Commander) presented State-level awards to deserving compatriots

Some Of The Award Recipients



Awards Presented at the 2024 State Conference

State Awards from National

Admiral William R. Furlong Memorial Award: Certificate 22/23 & Star for St Flag Streamer	WA SAR (Russ Oliver)
Arthur M. King Eagle Scout Scholarship Contest: Certificate 22/23 & Streamer for St Flag	WA SAR (Greg Emerson)
The C.A.R. Activities Award: Certificate 20/23 & Streamer for St Flag	WA SAR (Stefan Kovalenko)
George S. & Stella M. Knight Essay Contest: Certificate 20/23 & Streamer for St Flag	WA SAR (Perry Taylor)
Outstanding JROTC Cadet Contest: Certificate 20/23 & Streamer for St Flag	WA SAR (Conrad Plyler)
Council of Youth Programs Poster Contest: Certificate 20/23 & Streamer for St Flag	WA SAR (Allen Furlow)
Joseph S Rumbaugh Historical Oration Contest: Certificate 20/23	State & GW chapter flag
Council of Youth Programs Outstanding Participation: Certificate 20/23 & Streamer for St Flag	WA SAR (Perry Taylor)

Chapter Awards from National

Partners in Patriotism Certificate, Honor Flight Support & Wreaths Across America, 20/23	AH Chapter
Partners in Patriotism Certificate, 20/23	Cascade Centennial Chapter

Individual Awards from National

Lafayette Volunteer Service Medal		
John Hosfield (Cert + Gold OLCx1, Bronze OLCx4)	John Kraft (Cert + Bronze OLCx1)	
Liberty Medal		
John E Kraft (Cert + OLCx1) Richard E Moody (Cert + Medal)	Michael E Moore (Cert + Bronze OLCx1) Paul A Ocker (Cert + Medal)	Neil A Vernon (Cert + Bronze OLCx2)

Other Awards from National

Monetary Check from NSSAR (for competing at the National level for the Joseph S Rumbaugh Historical Oration Contest)	GW chapter Abigail Young
Sam Adam's Congress Appreciation Award – Certificate	Cindi Weissinger
Certificate, Dr Tom & Betty Lawrence American History Teacher Award (HS Level), 20/23	Tammy Lynn French

Chapter Awards from State

2023 Flag Committee Chapter participation certificates and streamer pins – State Flag Committee					
George Rogers Clark Chapter	45	Fort Vancouver Chapter	15	George Washington Chapter	3
John Paul Jones Chapter	33	Alexander Hamilton Chapter	8	Mid-Columbia Chapter	1
Ranger Chapter	21	Spokane Chapter	6	State Furlong Award Earned?	Yes
Cascade Centennial Chapter	15	Seattle Chapter	4		

Individual Awards from District

Silver Meritorious Service Medal (w/star)	Viren Lemmer
---	--------------

Individual Awards from State

Silver Roger Sherman Medal	Ronn Mercer, Fred Templin, Dick Motz (OLC)
Silver Meritorious Service Medal	Keith Weissinger, Russ Oliver, Dick Paul, John Kraft
State Distinguished Service Medal	Neil Vernon
Youth Education Medal	Neil Vernon
Patriot Medal	Viren Lemmer
WA Superior Service Medal	Rob Sexton, Perry Taylor, Brian Dorr, Lee Thomasson
WA Achievement Medal	Pat Burch
Certificate of Appreciation	Joyce Thomasson

Color Guard Awards

5 Year Service Award			
Jerry Bordelon Michael Bendickson Joe Coorough	John Kraft Leland "Mike" Hutchins Conrad Plyler	Perry Von Taylor Randal Roach Christopher Clayton	Stephen Clayton Robert Korn Jr
10 Year Service Award			
Kenneth Roberts Gregory Emerson	Arthur Dolan Frederick Gilbert	Noah Chase Barry Moravek	Larry Flint
15 Year: Service Award: Doug Nelson			

WASSAR Annual Banquet

The Banquet is the capstone event for the Conference. The banquet included opening pageantry, toasts, greetings from companion organizations, recognition of our Quilts of Valor recipients from earlier in the day, a keynote speaker, and the drawing for the WASSAR Conference raffle conducted by Host Chapter John Paul Jones. WASSAR Conference Planning chair Dick Paul served as Master of Ceremonies.

Keynote Speaker: NSSAR Treasurer-General Mike Elston



The Ladies Are Presented





The Colors are Posted





The Banquet





Welcome To All The New Members This Quarter

Name	Chapter	Mo
David Lee Strider	Alexander Hamilton	Jun
David Rogers Rossi	Ft Vancouver	May
Dean Thomas Brown	Alexander Hamilton	May
Harold Lee Newton	Ft Vancouver	April
James Marshall Strong	George Washington	May
Marcus Ohm Rossi	Ft Vancouver	May
Maxwell Clifton Rossi	Ft Vancouver	May
Philip Rogers Rossi	Ft Vancouver	May
Ronald Steven Thompson	Cascade Centennial	April
Taylor Donald Campbell	John Paul Jones	May
Thomas Maxwell Schultz	George Rogers Clark	April
William Walter West	George Washington	June

Secretary's Corner June 2024

Compatriots,

Summer is upon us – that means National Congress is only a few short weeks away, and many chapters take a break from formal meetings over the next few months.

While you relax in the warm summer breeze with your Mai Tai, or [march with the Color Guard in a community parade](#), don't forget to take a moment to visit the [National website](#) and review your personal information in the new member database, called the BLUE database. Do you have a new phone number? Did you move to a new address? We can all update our personal information and keep it current.

Chapter Secretaries, if your chapter officers have changed, please let me know, and I can help you update the list of your chapter officers on the National website. That will ensure your new chapter leaders get the appropriate access to the BLUE database.

Respectfully submitted, Russ Oliver, Secretary, Washington State, Sons of the American Revolution



News From The WA State SAR Ladies Auxiliary (LAWASSAR)

[Facebook Page](#)



To our Ladies... Yet again, the SAR Ladies Auxiliary was privileged to play an important role in WASSAR's historic 2024 State Conference. The State Conference was preceded by what we called "Patriot Week 2024". A week packed with events in Hoquiam and Ocean Shores, Patriot Week 2024 provided Grays Harbor County communities with opportunities to become involved in events celebrating America's 250th Anniversary.



The week kicked off on Monday with a first of its kind ceremony in the history of the nation. Members of SAR, the Ladies Auxiliary, and local participants including the Mayors and City Administrators of Ocean Shores and Hoquiam and a bugler from the local VFW boarded a Coast Guard vessel out of Westport. Once at sea, during a moving memorial service, we honored all Veterans and Patriots buried at sea from the American Revolution to the present day by "burying" a bronze plaque into the ocean at an unidentified location. The plaque slid into the waters beneath an American Flag bearing the names of all victims of the 9/11 attacks.

On Tuesday morning, WASSAR presented to the Lighthouse Suites Inn a 12' x 18' American Flag. Each morning thereafter at sunrise, members of the SAR Color Guard saluted the colors as VFW bugler LTC Jimmy Cummins played "To the Colors".

Throughout the week, members of the Grays Harbor Genealogical Society, North Beach Genealogy Services and the DAR provided free genealogy sessions to members of the public. The sessions generated enormous interest within the community, with many pursuing membership in the SAR and DAR as they seek out qualifying Patriot Ancestors.

On Wednesday, SAR presented the city with the newly constructed Ocean Shores Veterans Memorial Park. A project co-sponsored by SAR and the City of Ocean Shores, and constructed by members of the North Beach VFW and the Defenders of the Coast, the park features a giant clam that was once a proud trademark of Ocean Shores. Visitors can now rest on a bench provided by SAR, with a bronze plaque dedicating the park to the men and women from Ocean Shores who served in the Armed Forces of the United States.

That evening, George Washington appeared at the 7th Street Theatre in Hoquiam for a 2-hour presentation on his life and times. Portrayed by Vern Frykholm, a man devoted to the study of Washington, the ticketed event entitled "An Evening with George Washington" provided keen insights into the Father of our Country. Not to be outdone, he appeared again the following day at the Ocean Shores Library for "An Afternoon with George Washington".

As lightning and rainstorms common to Grays Harbor County dominated local weather reports, on Thursday, a planned dedication of the County's first ever Liberty Tree moved indoors into the Hoquiam City Council Chambers. WASSAR President Gregory Lucas provided the history of the Liberty Tree to a room filled with City officials and members and ladies of WASSAR and its Color Guard. Each person in attendance added a trowel of earth to a bucket that was promptly transferred to the infant Liberty Tree, now proudly standing in one of Hoquiam's beautiful parks. A bronze plaque dedicates the Liberty Tree to the men and women of Hoquiam who served in the Armed Forces of the United States.

The larger body of men and their ladies from WASSAR arrived in Ocean Shores on Thursday evening, enjoying a rowdy and leisurely dinner at Galway Bay Pub, a favorite watering hole in Ocean Shores. The following day, as the 2024 WASSAR State Conference kicked off at the Ocean Shores Convention Center, the Ladies Auxiliary featured a special presentation by the former Washington CAR President James Byrd, who offered his own rendition of George Washington. This talented young man will have a long and illustrious journey with SAR. Later, the ladies enjoyed an incredible luncheon provided by the women of Faith Community Church – a proud supporter of Patriot Week 2024 events. The guest speaker, Lauri Leirdahl, the National President of the Quilts of Valor Foundation, spoke about the history and importance of the project, and the many lives comforted by the quilts they provide to Veterans.

Patriot Week 2024 closed with a ceremony honoring all Vietnam Veterans in Grays Harbor County. WASSAR President Gregory Lucas, also a Vietnam era Veteran, presented a compelling and comprehensive history of the Vietnam War to a packed house at the Convention Center. As his address closed, Veterans poured to the front to receive the Department of Defense 50th Anniversary commemorative Vietnam War Lapel Pin. The Ceremony closed with four honored Veterans receiving Quilts of Valor from Lauri Leirdahl, and members of the Quilts of Valor Foundation.

Patriot Week 2024 was a stunning success – a week that will be long remembered by Grays Harbor County.

Please note that the State SAR Board of Directors Meeting will be held Saturday, August 3, 2024, 11:00 am, at the Buzz Inn Steakhouse in Ellensburg. Any and all ladies joining their men at this meeting are welcome to attend the Ladies Auxiliary Board Meeting at the same restaurant. We would love to see you there. Have a great summer!

Respectfully submitted, Cindy Lucas, LAWASSAR President

WA State SAR Chapter Meeting Day/Time/Location & Media Links

Alexander Hamilton (Tacoma area)

3rd Sat of the month (Sep to Jun)/9:00am/Tower Lanes Entertainment Center, 6323 6th Ave in Tacoma.

Links: [Facebook](#) Newsletter Web Site [Chapter Secretary](#)

Cascade Centennial (Bellevue area)

1st Sat of the month (Oct to Jun)/11:30 am/Enzo's Bistro and Bar, 120 NW Gilman Blvd, Issaquah

Links: [Facebook](#) Newsletter Web Site [Chapter Secretary](#)

Ft. Vancouver (Vancouver area)

3rd Sat of the month/9:00am/American Legion Post Hall #14, 4607 NE St. James Rd, Vancouver.

Links: Facebook Newsletter [Web Site](#) [Chapter Secretary](#)

George Rogers Clark (Olympia area)

2nd Sat of the month (Sep to Jun)/10:00am/Lacey Presbyterian Church, 3045 Carpenter Road SE, Lacey

Links: [Facebook](#) Newsletter Web Site [Chapter Secretary](#)

George Washington (Mt. Vernon area)

3rd Sat of the month (Sep to Jun)/10:00am/Farmhouse Restaurant, 13724 Laconner Whitney Rd, Mt. Vernon

Links: [Facebook](#) Newsletter [Web Site](#) [Chapter Secretary](#)

John Paul Jones (Bremerton area)

4th Sat of the month (none in Jun, Jul, Aug, Dec)/9:00am/Disabled American Veterans Chapter #5
Building 4980 Auto Center Way, Bremerton

Links: [Facebook](#) Newsletter Web Site [Chapter Secretary](#)

Mid-Columbia (Richland area)

3rd Sat of the month (Sep to Jun)/11:30am/Round Table Pizza, 1769 Leslie Road, Richland.

Links: Facebook Newsletter Web Site [Chapter Secretary](#)

Ranger (Snohomish Co. area)

3rd Sat of the month (Sep to Jun)/8:30am/Harbor Pointe Golf Club, 11817 Harbour Pointe Blvd, Mukilteo

Links: Facebook Newsletter Web Site [Chapter Secretary](#)

Seattle (Seattle area)

2nd Sat of the month (none in Jun, Jul, Aug, Dec)/9:00am/Robb's 125th Street Grill: 12255 Aurora Ave N, Seattle

Links: [Facebook](#) [Newsletter](#) [Web Site](#) [Chapter Secretary](#)

Spokane #1 (Spokane area)

2nd Fri of the month (Sep to Jun)/11:30am/Illinois Ave Bar and Grill, 1403 E Illinois Ave, Spokane

Links: [Facebook](#) Newsletter Web site [Chapter Secretary](#)

Other Media Links

SAR National Society

Links: [Facebook](#) The [SAR Magazine](#) (log on required) The [Colorguardsman Magazine](#) [Web Site](#)

WA State Society (State wide)

Links: [Facebook](#) [Newsletters](#) [Web Site](#) [CG Web Site](#) [State Secretary](#)

SAR Ladies Auxiliary (State Wide)

Links: [Facebook](#) Newsletter Web Site

CAR (State Wide)

Links: [Facebook](#) Newsletter [Web Site](#)

WA State Daughters of the American Revolution

Links: [Facebook](#) Newsletter [Web Site](#)

Birthday Wishes To All Compatriots Born In Apr/May/June

Data extracted From the National Database (6-6-24).

If incorrect, contact your chapter secretary



April	May	June
Marshall William Anderson	Walker Armstrong	Andrew Marshall Ash
Ardean A. Anvik	Joseph Reza Arya	Thomas Chester Barham IV
Samuel Ephriam Berg	Robert John Beets	John Gary Bjork
Ronald Eugene Black II	Jean Paul Bordelon	Bryan Glenn Bock
Gilbert Eugene Blinn	Dean Thomas Brown	Eugene Edwin Catlin
Douglas Herbert Brown	David John Cahail	Mark Richard Clark
Kenneth Duane Carlson	Bruce Robert Campbell	Christopher Stephen Clayton
Dennis Dale Case	Douglas Brenner Cooper	David Joseph Culver
Jay Douglas Cooper	Matthew Weston Costello	Donald Allen Deschenes
Blake Davenport	Dennis Davenport	Norman Earnest Dodge
Robert E. Lee Eggenberger Jr	Michael Justin Garcia	Charles Marshall Eberhart
Christopher Richard Gelatt	Paul Anthony Gardner	John Jeffrey Elliott
Darrell Irwin Gibson	Robert Paul Gerrish	Lane Carter Elliott
Gary Dean Griss	Ethan Henry Grabowski	Barry A. Fraissinet
Gary William Hahnert	Robert Eugene Korn Jr	Robert Carlton Franz
Frederick Arthur Hardy	Stefan Michael Woods	Ronald Jon Frederick
Richard Lee Harman	Kovalenko	Clinton Drake Goodison
Arthur Monroe Haywood	David Joseph Kuntz	Christopher Gail Grabowski
Robert Homer Hill	Craig Mark Lawson	John Winship Herr II
Evan Merritt Hinkle	Paul MacMichael	Marion (Mick) Thomas Hersey
Steven Curtis Hodges	Sean Patrick Marley	Mark Denman Hines
Devin Christopher Irons	Kenneth Morton Marshall	Jerome Leroy Hull
Dominik Viggo Irons	Timothy Robert Miles	Royal Garf Ivory
Michael Allen Jackson	Walter Richard Motz	Patrick Joseph Kane
Eric William Jarvi	Charles Brian Newberry	Murl Edwin Leibrecht
William Douglas Jonas	Conrad A. Plyler Jr	Philip C. Leise
Michael Abram Kanzler	Tracey John Prock	Jeffrey Caldwell Lightburn
Gale Hamilton Kenney	John Frederick Russell	James Morris Lindley
Brian Joseph Langley	Dale Eugene Ryan	Gregory Dean Lucas
Jan Allyn Lemmer	Richard Seeder	David Baker Martens
Jeffrey Tyler Lewis	Jacob Kyle Shaffer	Charles Harlow McCaughan
Timothy Deane Mather	Noah Christian Shaw	Bruce R. McCaw
Brian Eric McReynolds	Brian Wade Smith	Donald Bradley McCracken
Andrew Curtis Meeker	Jeffrey Robert Spencer	Nicholas Bradley McCracken
David Francis Miles	Caleb Neal Summerfelt	Charles Robert Miller
Stephen Michael Moores	Andrew Fain Thomas	Mark Matthews Munns
Roger Herbert Newman	Steven Lee Thomasson	Russell Thomas Oliver
Paul Andrew Ocker	Brendan Mitchel Walsh	Gregory C. Parker
Gary Edward Peterson	William Michael Waring	Richard Thilo Porter
Robert Edward Pringle	Douglas Allen Webb	Gary Andrew Price
Thomas Edward Sackville-West	Stuart Gordon Webber	Randall L. Roach
Dennis Michael Shaw	Liam Michael Whiteaker	Jeremy James Robison
Matthew T. Shea	Michael David Zenk	Marcus Ohm Rossi
Greggory Morris Stewart Jr	Timothy Scott Zenk	Maxwell Clifton Rossi
Rupert Graham Tart Jr		Lee G. Schuirman
John Charles Tipton		Robert William Scott
Hugh Mercer Tucker III		Neil Allen Vernon
David James Vandaveer		Robert Carl Wall
Marlin John Weinberger		Benjamin Conrad Warner
Paul Frederic Winter		Mark Merrill Whiteaker
		Richard Leslie Whittemore
		David Michael Wilson
		Steven Lawrence Winmill
		Christopher Lawrence Young
		Jason Thomas Zenk

Military Humor & More



Military Humor highlights is From the [Facebook group](#) by the same name

The Topic: Helicopters



A Baby Huey being trained to hunt.

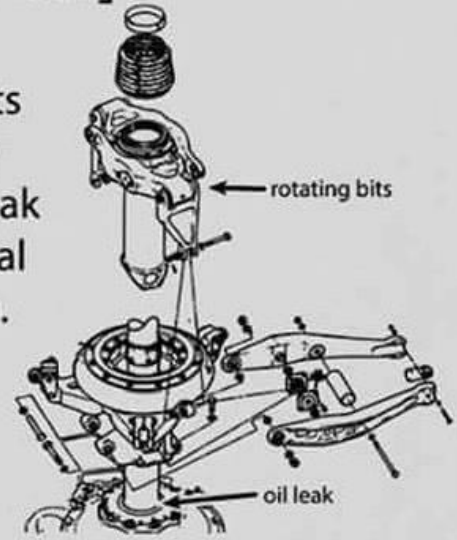


On Mars (Ingenuity)

Helicopter

[hel-i-kop-ter]
noun

1. A million parts rotating rapidly around an oil leak waiting for metal fatigue to set in.



also see:
"whirlybird"



If you look carefully, you'll see there's only one nut that holds the entire weight of the helicopter with all its swirling stress and turbulence to the rotor system that's flying them. Nicknamed the **"Jesus" Nut**, it requires 650 lbs. torque to tighten it with a special torque wrench, with someone holding the blade and someone reading the lbs. and a cheater bar.

Communication Breakdown!!!

The reason the Army, Navy, Air Force and Marines squabble among themselves is that they don't speak the same language! For example, take the simple phrase **"Secure the Building"**.

- The Army will post guards around the place.
- The Navy will turn out all the lights and lock the doors.
- The Air Force will take out a 5-year lease with an option to buy.
- The Marines will kill everyone inside and make it a command post!

The Washington Trail: Publication Schedule

The State Newsletter will be published quarterly to include the State BOD meeting.

As “The Washington Trail” newsletter editor, I would like to include news from the chapters. I have added a section to the NL that is for articles to be submitted by the Chapters.

One member from each chapter should be selected to produce & submit the “Chapter Article” to me (via E-Mail) in accordance with the publication deadlines (below). Please let me know who has been selected to produce the chapter articles

These articles must be ready to publish and only need the formatting required to fit into the NL. I will use the same process that National does with their NL and publish one (1) chapter article in each issue. This is not a mandatory submission. It is entirely up to the chapter if they want to submit an article.

Format Requirements: Each article must be in Word format (text only) preferred font is **Calibri**.

Any related photos to be in **JPG** or **PNG** format.

Formatting of the article is not required as I must reformat it to fit the newsletter.

The Plan: Publish four times a year following the four Board of Directors meetings.

Winter..... March BOD in January

Spring..... June BOD in April

Summer September BOD in Jul)

Fall December BOD in October

Publication and article/event submission deadlines

Articles are due the 20th of the last month of the edition quarter

<i>Edition</i>	<i>Qtr</i>	<i>Published on</i>	<i>Period covered</i>	<i>Deadline</i>
Winter	1	31 Mar +/-	1 Jan to 31 Mar	No later than 20 Mar
Spring	2	30 June +/-	1 Apr to 30 Jun	No later than 20 Jun
Summer	3	30 Sep +/-	1 Jul to 30 Sep	No later than 20 Sep
Fall	4	31 Dec +/-	1 Oct to 31 Dec	No later than 20 Dec

Thank you



Dick Matz
Washington State
Newsletter Editor

SONS OF THE AMERICAN REVOLUTION